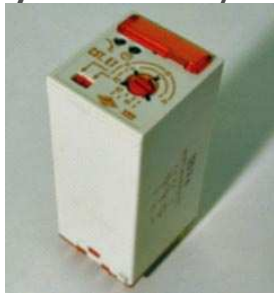




İMAJ TEKNİK
ELEKTRİK ELEKTRONİK MALZ. SAN. VE TİC. LTD. ŞTİ

INSTANTANEOUS AND FUNCTION RELAYS

Timer relays 2 contacts / CSTC



CSTC

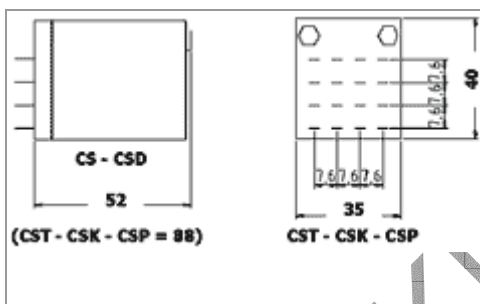
rear wiring socket with clips SRDL 4.8
rear wiring socket / PCB mounting SRC
front wiring socket with clips SVDL
front wiring socket with clips SPVDL
front wiring socket / screw terminals SVB
front wiring socket / screw terminals SPVB

DESCRIPTION

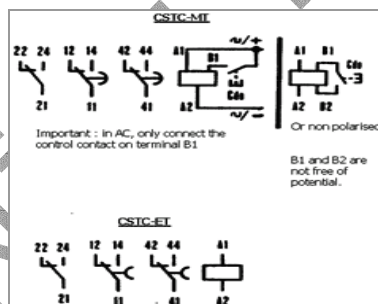
Adjustable electronic timer relay - 2 timing ranges (2 different relays) - 2 timed contacts / 1 instantaneous contact - 3 A.

Pluggable on the following sockets : SVB, SPVB, SVDL, SPVDL et SRDL 4.8.

Dimensions



Connection



OPERATION PRINCIPLE

FUNCTIONS :

- * **ET** : timed on voltage application
- * **MT** : timed on voltage lack

TIMING RANGES :

Two timing ranges (2 different relays) cover a timing range from 0.20 sec. up to 75 min.

Long timing :

- * 1/2 range A : 0,5 to 9 mn
- * 1/2 range B : 4 to 75 mn

Short timing :

- * 1/2 range A : 0,2 to 3 s
- * 1/2 range B : 3 to 45 s

Timing range switch and adjustable potentiometer on front face. Red LED indicating the status of the timed contacts and green LED giving the timing status.

TECHNICAL FEATURES ▶

Function	timer (ET, MT)
Presentation	under cover
Connection	on front or rear wiring socket
Number of mechanical operations	5.000.000
Operating temperature	- 5 to + 40°C
Storage temperature	- 40 to + 70°C
Shock voltage	2,5 KV (wave 1,2/50 µs)
Dielectric strength	2000 à 2200 V Eff
Insulation resistance	NFC 45-202 & VDE 0110 : C250 V
Weight	180 g
Protection level	IP30
Resistance to mechanical shocks	severity 30 A (NFC 20-608 & CEI 682-27)
Resistance to vibrations	0.35 mm / 10-55 Hz

COIL DATA ▶

	Direct current	Alternative current
Min. nominal voltage DC	12 V	12 V
Min. nominal voltage AC	230 V	230 V - 50 Hz
Operating range	-20% +10% of nominal voltage	
Power requirement	3 W	

CONTACTS ▶

Number of contacts	2
Max. load current	3 A
Low power switching	100 mW with min voltage 6 V or I min 10 mA

VERSIONS ▶

- . CSTC relay with specific voltages
- . CSTC relay with specific timings.

adresimiz
değiştirdi

Tel:212/2359535
Fax:212/2359537

Emekyemez Mah.Yüksek Minare Sk. No:8 / 17
80020 Karaköy / İstanbul